

Technical data sheet

Product features



Refrigerating unit for INFINITY 4011

Model	SAP Code	00011989
--------------	-----------------	----------



SAP Code	00011989	Net Height [mm]	1500
Net Width [mm]	1705	Net Weight [kg]	159.00
Net Depth [mm]	945	Loading	400 V / 3N - 50 Hz

Technical data sheet

Technical drawing

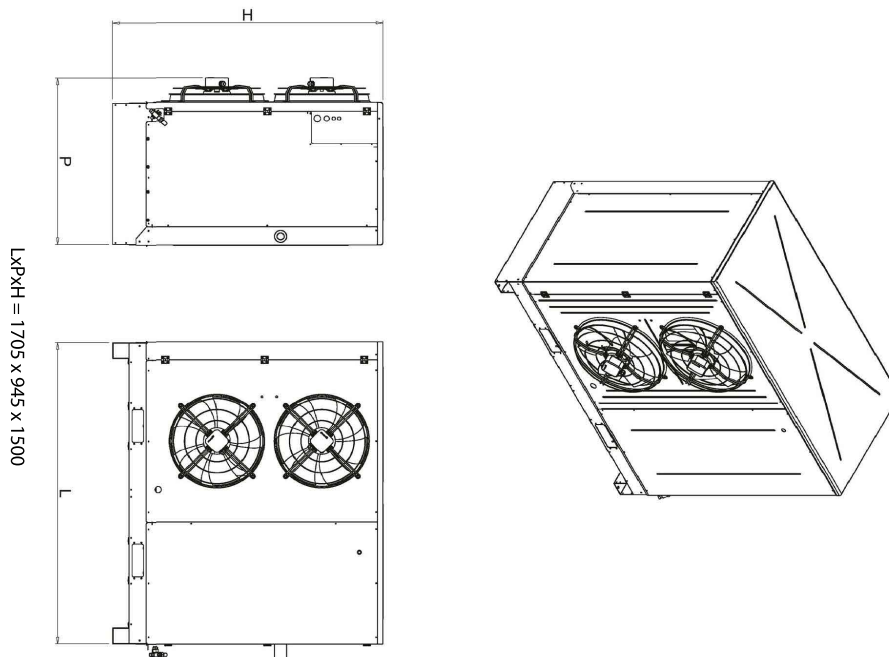


Refrigerating unit for INFINITY 4011

Model

SAP Code

00011989



Technical data sheet

Technical parameters



Refrigerating unit for INFINITY 4011

Model

SAP Code

00011989

1. SAP Code:

00011989

7. Gross depth [mm]:

1080

2. Net Width [mm]:

1705

8. Gross Height [mm]:

1729

3. Net Depth [mm]:

945

9. Gross Weight [kg]:

169.00

4. Net Height [mm]:

1500

10. Device type:

Electric unit

5. Net Weight [kg]:

159.00

11. Loading:

400 V / 3N - 50 Hz

6. Gross Width [mm]:

1900

12. Refrigerant:

R452a